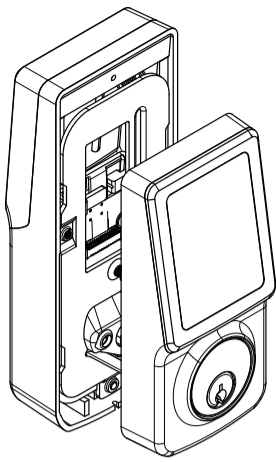


## 1 Diagram



## 2 Safety Information

Read the precautions and instructions in this manual before installing and using this lock. Save this manual for future reference.

**CAUTION**  
PLEASE SEE STEP 5-2-C ON NEXT PAGE BEFORE INSERTING BATTERIES

- A. Do not attempt to disassemble any internal components. This will void the warranty.
- B. Substantial impact shock may result in permanent damage.
- C. Do not use pins or sharp objects to press on the keypad.
- D. Always create a backup of information you want to keep (such as the programming code and user codes). Please use the last page of the user guide as your reference.
- E. Please change programming code before operation.

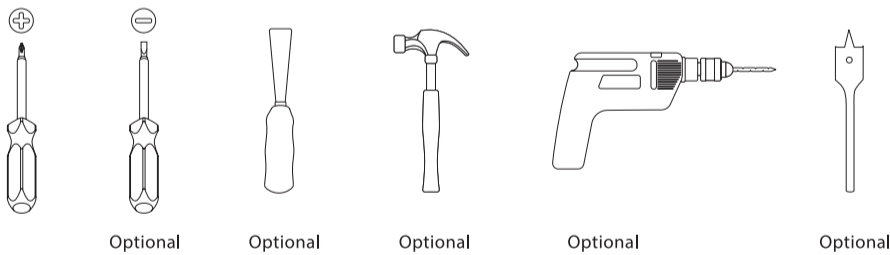
### CARE and MAINTENANCE

The following instructions should be followed to properly protect and maintain your unit:

- A. Remove / do not install prior to painting your door.
- B. Periodically clean with mild soap and a soft cloth only.
- C. Do not use any abrasives or chemical products containing alcohol, benzene, hydrochloric acid or nitric acid, and avoid using sharp or abrasive objects when cleaning.
- D. Do not allow any water or liquid near unit during installation.

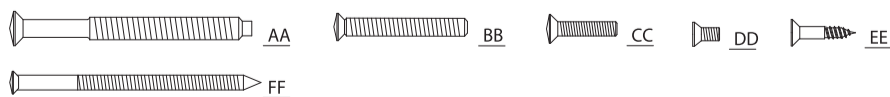
## 3 Pre-Installation

Tools Required / Hardware Included

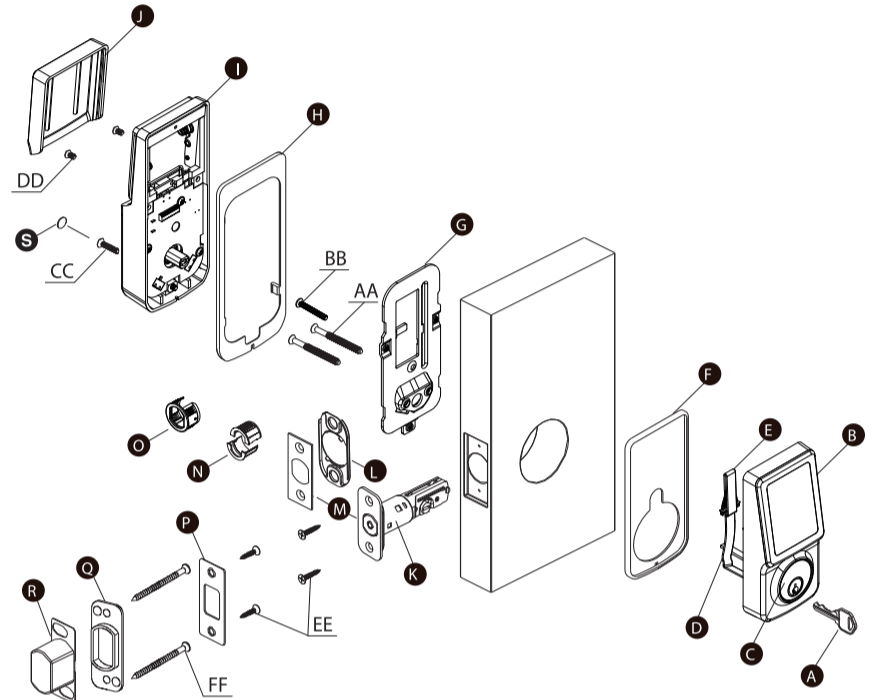


**WARNING**  
If the door needs to be drilled, be familiar with how to use your drill safely, and understand all the door preparation steps before proceeding.

Part	Description	Qty
AA	54mm Mounting Bolt	2
BB	32mm Screw	1
CC	20mm Screw	1
DD	8mm Screw	2
EE	19mm Wood Screw	4
FF	76mm Wood Screw	2



Part	Description	Quantity
A	Key	2
B	Exterior Assembly	1
C	Cylinder	1
D	Tailpiece	1
E	Power Cable	1
F	Exterior Gasket	1
G	Mounting Plate	1
H	Interior Gasket (Optional / Sold Separately)	1
I	Interior Assembly	1
J	Battery Cover	1
K	Latch	1
L	Bottom Plate (Optional)	1
M	Square Or Radius Faceplate (Optional)	1
N	Drive-in Collar (Optional)	1
O	Drive-in Collar (Optional)	1
P	Strike Plate	1
Q	Reinforced Strike Plate	1
R	Dust Box	1
S	Screw Hole Cover	1

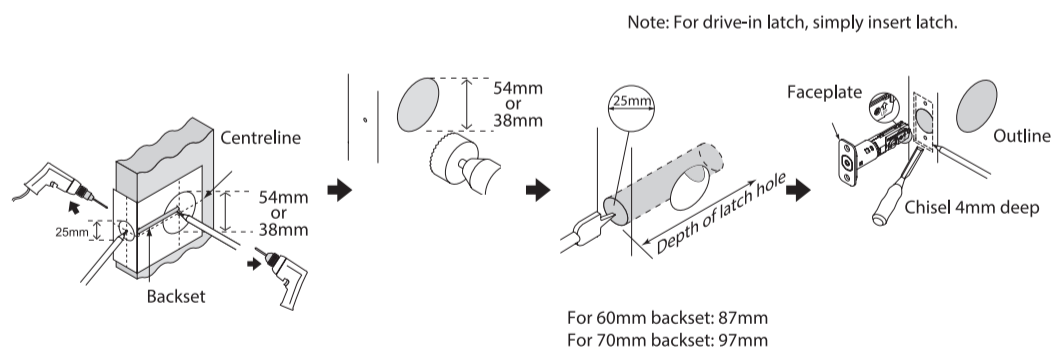


## 4 Pre-installation (Continued) — Door Preparation

**NOTE:** If your door is pre-drilled, check the hole sizes to make sure they are the proper size. If they are the proper size, skip to the Installation section.

**1** Using the template, mark the door and drill the holes, and chisel out a mortise.

**NOTE:** Drill from both sides to avoid wood splitting.



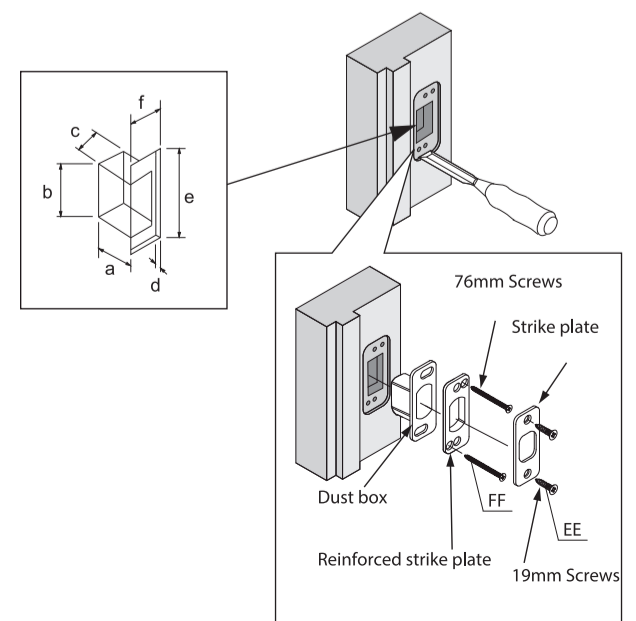
**2** Prepare the door jamb — using the strike plate as a pattern, drill the latch and screw holes, and chisel out a mortise until the strike plate fits flush.

Door jamb hole dimension

- a. 30mm
- b. 40mm
- c. 25mm

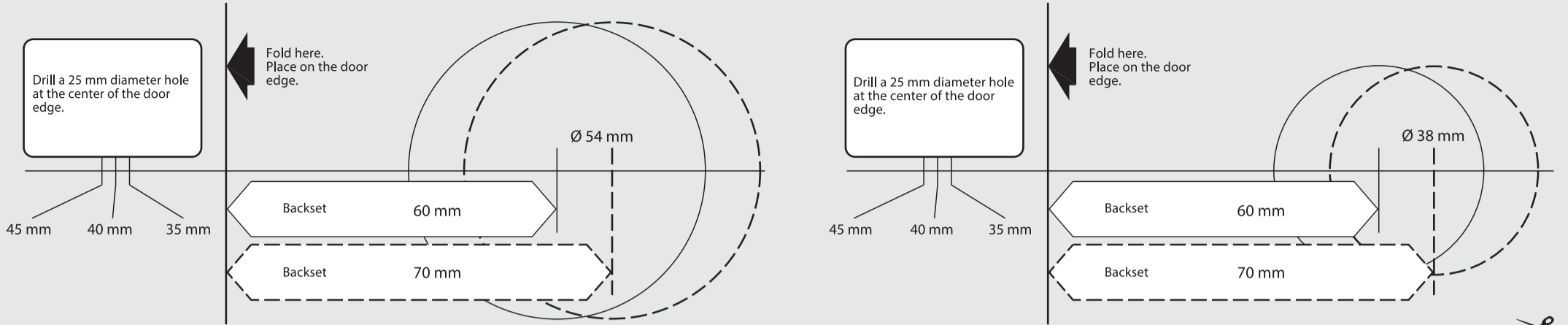
Strike dimension

- d. 4mm
- e. 70mm
- f. 28mm



# TEMPLATE

**NOTE:** Double check your product for the correct hole sizes.

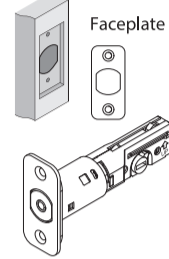


## 5 Installation

### 1 INSTALLING THE LATCH

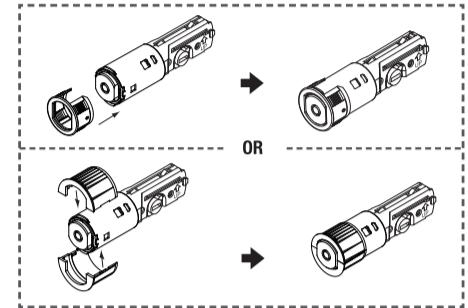
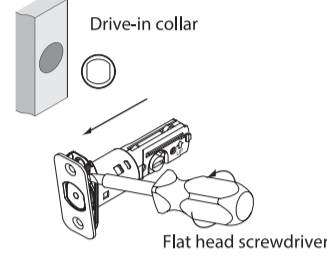
A. Attach the correct faceplate

Edge of door



OR

Edge of door

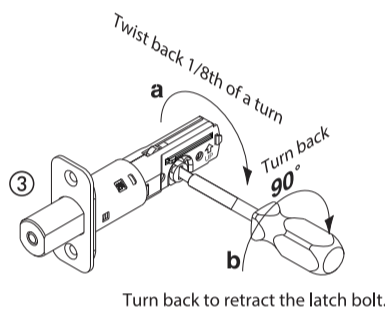
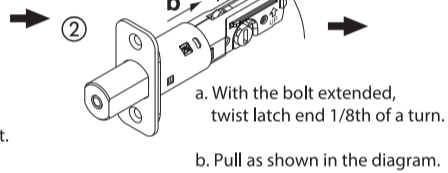
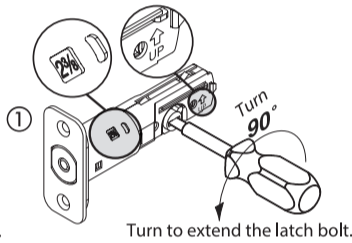


B. Set the latch backset

**CAUTION**  
Be sure the latch cam is upright before making any backset adjustment.

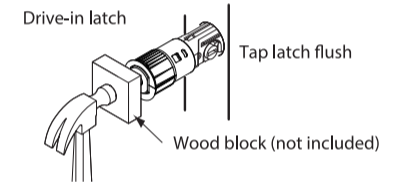
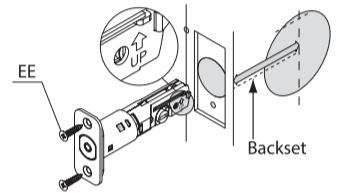
Bolt will be set to 70mm by standard represented by the visible 2-3/8.

To set to 60mm backset, follow these instructions.



2-3/4 should be visible, representing 60mm.

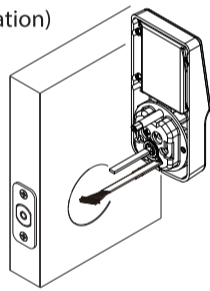
C. Install the latch



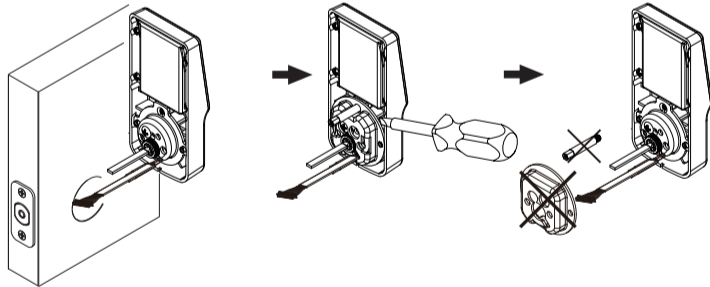
### 2 INSTALLING THE LOCK

A. Modify lock for correct door preparation

For 54mm (no modification)

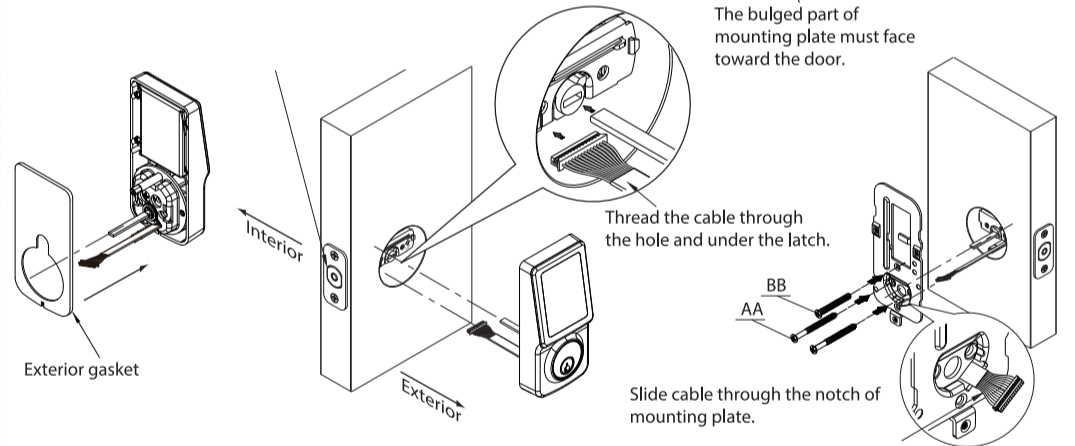


For 38mm (remove 54mm cover)



B. Install the lock

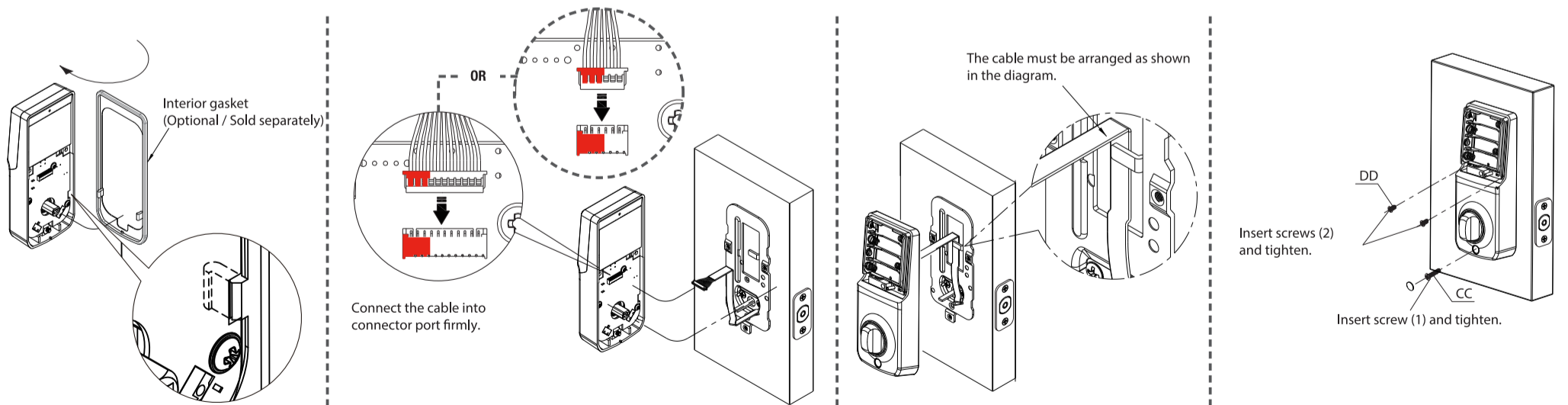
**CAUTION**  
The latch bolt MUST be in retracted position.



The bulged part of mounting plate must face toward the door.

Thread the cable through the hole and under the latch.

Slide cable through the notch of mounting plate.



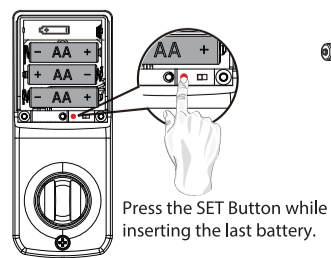
Insert screws (2) and tighten.

Insert screw (1) and tighten.

C. Install batteries and execute automatic bolt direction determination.

Note: this step will reset unit to default programming code.

**CAUTION**  
Always use four alkaline batteries.



Install the last battery.

The latch bolt will withdraw while still holding the set button.

**NOTE:**  
The unit will perform automatic bolt direction determination by moving the bolt in and out automatically.